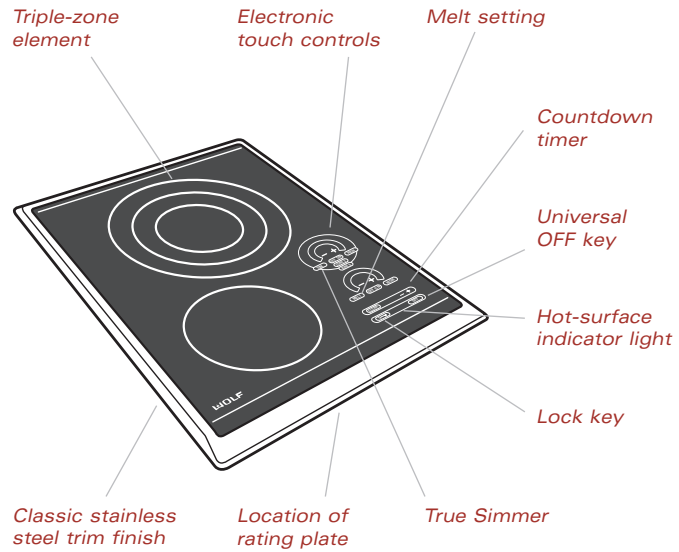


New Integrated Electric Cooktop — Available November 2007

MODEL CT15E/S



Model CT15E/S



► The Wolf Model CT15E/S 15" (381) integrated electric cooktop is available with classic stainless steel trim finish.



This appliance is certified by Star-K to meet strict religious regulations in conjunction with specific instructions found on www.star-k.org.

Behind the sophisticated, minimalist exterior, beneath that perfectly smooth, subtly patterned glass that cleverly reduces scratches, there is a high-performance cooking tool.

The black ceramic glass top of the framed electric cooktops is beautifully complemented by the classic stainless steel trim finish.

Two cooking elements with four temperature zones offers exceptional control of temperature for a variety of size pans. Both heating elements offer True Simmer along with one element that enables you to set a temperature for melting.

With Wolf's integrated modules, you have the ultimate in customization. You can create your own design by mixing and matching the various components within this system.

The new integrated electric cooktop will be available in November 2007 and will replace the existing model.

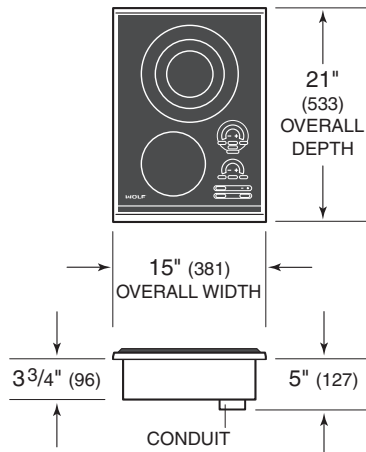
New Integrated Electric Cooktop

MODEL CT15E/S

FEATURES

- ▶ Integrated design allows for installation of multiple cooktops or modules
- ▶ Classic stainless steel trim finish
- ▶ Easy-to-clean black ceramic glass surface is resistant to scratching, staining, impact and heat—translucent surface allows you to see the glow of hot elements
- ▶ High-frequency pulsation elements improve cooking performance and control
- ▶ Two heating elements with four zones
- ▶ Triple-zone element power: 900 W/1800 W/2500 W (maximum)
- ▶ Single element power: 1200 W (maximum)
- ▶ Temperature limiter to ensure that safe operating temperature of ceramic glass is never exceeded
- ▶ Illuminated touch controls with graduated control lighting
- ▶ True Simmer setting on both elements
- ▶ Melt setting on one element
- ▶ Hot-surface indicator light in control panel
- ▶ Lock mode—cooktop can be locked so that no elements can be turned on
- ▶ Universal OFF turns all elements off
- ▶ Countdown timer with 1 to 99 minute range and adjustable sound frequency and volume
- ▶ CSA certified for US and Canada
- ▶ Two and five year residential warranty—exclusions apply; warranty information can be found on our website, wolfappliance.com

OVERALL DIMENSIONS ▼



Unit dimensions may vary by $\pm 1/8"$ (3).

Dimensions in parentheses are in millimeters unless otherwise specified.

New Integrated Electric Cooktop

MODEL CT15E/S



Model CT15E/S

VENTILATION OPTIONS

- ▶ 30" (762) Cooktop hood or Pro wall or wall chimney hood or liner
- ▶ 30" (762) or 45" (1143) downdraft ventilation system
- ▶ 36" (914) Pro island hood

For additional information, refer to the Cooktop or Pro Ventilation sections of our website, wolfappliance.com.

ACCESSORIES

- ▶ Filler strip
- ▶ Bracket supports for installation of two integrated modules with downdraft (Model DD30 only)

Accessories are available through your Wolf dealer. To obtain local dealer information, visit the Showroom Locator section of our website, wolfappliance.com.

SPECIFICATIONS

Overall Cooktop Width	15" (381)
Overall Cooktop Height	3 ³ / ₄ " (96)
Overall Cooktop Depth	21" (533)
Heating Element Maximum Power	Triple - 2500 W outer / 1800 W middle / 900 W inner Single - 1200 W
Heating Element Outer Diameter	Triple - 10" (254) Single - 6 ¹ / ₂ " (165)
Minimum Cabinet Depth	22 ³ / ₄ " (578)
Minimum Height Clearance*	4" (102)
Cooktop Cut-Out Width	13 ³ / ₈ " (340)
Cooktop Cut-Out Depth	19 ¹ / ₄ " (489)
Electrical Supply Requirements	240 V AC / 60 Hz / 20 amp 208 V AC / 60 Hz / 15 amp
Conduit	4 ft (1.2 m) flexible 3-wire
Electrical Rating	3.7 kW at 240 V 2.8 kW at 208 V
Shipping Weight	30 lbs (14 kg)
Special Note	Cooktop can be installed in combination with other cooktops or modules

**Minimum 5³/₄" (146) clearance is required between countertop and any combustible surface directly below the cooktop.*

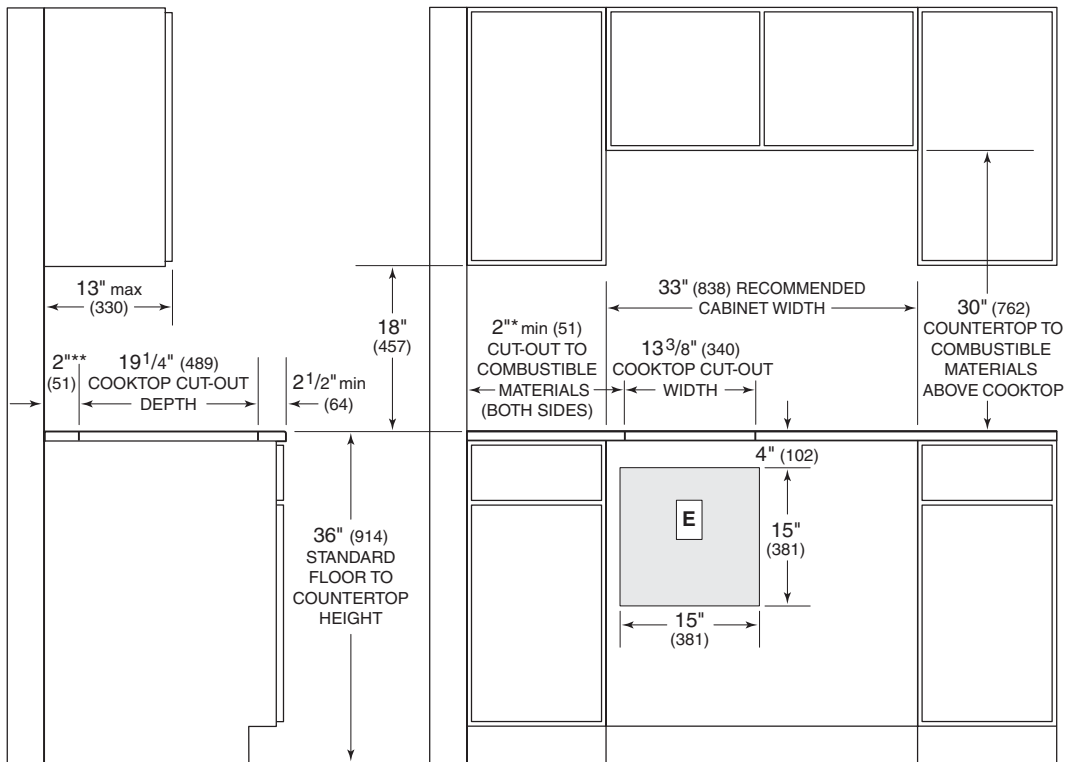
Specifications are subject to change without notice.

Unit dimensions may vary by ± 1/8" (3).

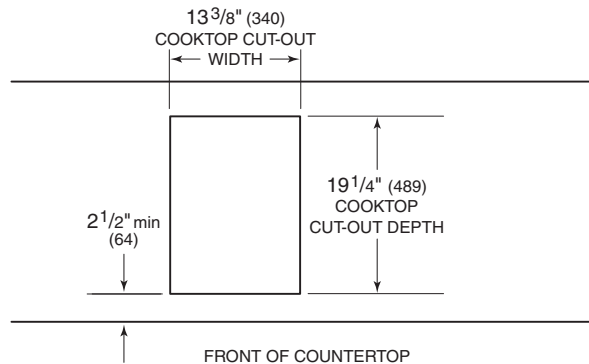
Dimensions in parentheses are in millimeters unless otherwise specified.

New Integrated Electric Cooktop
MODEL CT15E/S

INSTALLATION SPECIFICATIONS



NOTE: Application shown allows for installation of two 15" (381) modules side-by-side with 33" (838) recommended cabinet width. 18" (457) recommended cabinet width for installation of single 15" (381) cooktop or module. *Minimum clearance from both side edges of cooktop cut-out to combustible materials up to 18" (457) above countertop. **Minimum clearance from rear edge of cooktop cut-out to combustible materials up to 18" (457) above countertop.



DIMENSIONS

Minimum Cabinet Depth	22 ³ / ₄ " (578)
Cooktop Cut-Out Width	13 ³ / ₈ " (340)
Cooktop Cut-Out Depth	19 ¹ / ₄ " (489)
Location of Electrical	Within shaded area

See Installation Instructions shipped with unit for detailed specifications.

Dimensions in parentheses are in millimeters unless otherwise specified.

New Integrated Electric Cooktop

MODEL CT15E/S

INSTALLATION NOTES

▶ Refer to the illustrations and specifications for overall dimensions, cut-out dimensions and installation specifics.

▶ Wolf recommends using 33" (838) wide cabinets for installation of two integrated modules side by side. An 18" (457) wide cabinet is recommended for installation of a single integrated cooktop module.

IMPORTANT NOTE: Review specific installation instructions for product to product capabilities

▶ If the integrated electric cooktop is to be used with any combination of additional cooktop units or modules with a filler strip, the cut-out width increases to 14" (356). When multiple cooktops or modules are installed side by side, refer to the countertop cut-out dimensions on page 6.

▶ A Wolf downdraft system, Cooktop or Pro ventilation hood is recommended. When installing a ventilation hood, refer to the specific requirements of the hood for the minimum dimension to countertop. Also refer to the ventilation recommendation charts in the cooktop or Pro ventilation sections of our website, wolfappliance.com.

▶ The Wolf integrated electric cooktop requires a separate, grounded 3-wire 240/208 V AC, 60 Hz, 20 amp service with its own circuit breaker. It has a 4' (1.2 m) flexible 3-wire conduit for connection at the electrical supply. Locate electrical within the shaded area shown in the illustration on page 4.

▶ You must follow all National Electrical Code regulations. In addition, be aware of local codes and ordinances when installing your service.

▶ Refer to the installation instructions shipped with each Wolf product for detailed specifications.

▲ WARNING

This cooktop is intended for indoor use only.

New Integrated Electric Cooktop
MODEL CT15E/S

MULTIPLE COOKTOP INSTALLATION

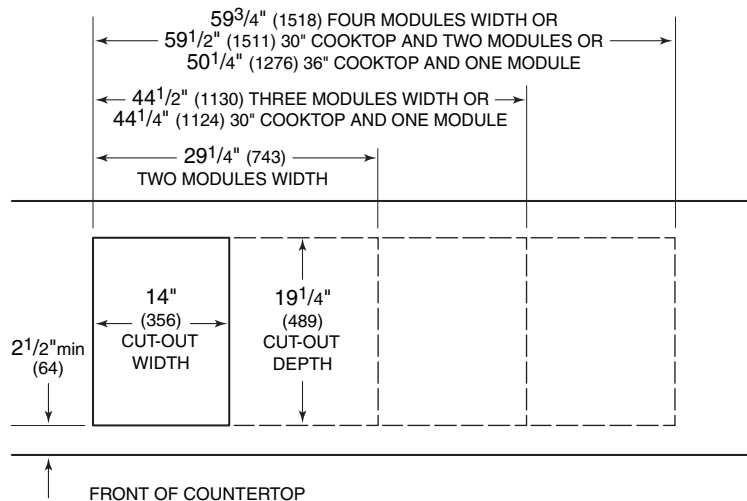
With Wolf's integrated modules, you have the ultimate in customization. You can create your own design by mixing and matching the various components within this system. And when you couple these modules with other cooktops within the Wolf inventory you and your client will truly understand freedom of choice.

Some Wolf integrated modules can be installed together or with a 30" (762) or 36" (914) cooktop. When multiple units are installed side by side, the cut-out dimensions that are shown in the illustration are derived by adding 1 1/4" (32) additional space for each additional unit, to give you your total cut-out width. Refer to the illustration below for countertop cut-out dimensions for installation of multiple cooktop units.

When two or more cooktops or modules are installed together, an accessory filler strip is recommended. Refer to Accessories on page 3.

IMPORTANT NOTE: When multiple cooktops and/or modules are installed side by side, each unit must have its own separate recommended electrical circuit. When multiple gas cooktops and/or modules are installed next to one another, they can receive their gas supply from a common line. However, each unit must have its own regulator installed between the mainline and the cooktop or module.

IMPORTANT NOTE: Review specifications for each specific integrated module for installation requirements and limitations. Refer to the integrated modules section of our website, wolfappliance.com.



Countertop cut-out dimensions for installation of multiple cooktop units.

Dimensions in parentheses are in millimeters unless otherwise specified.